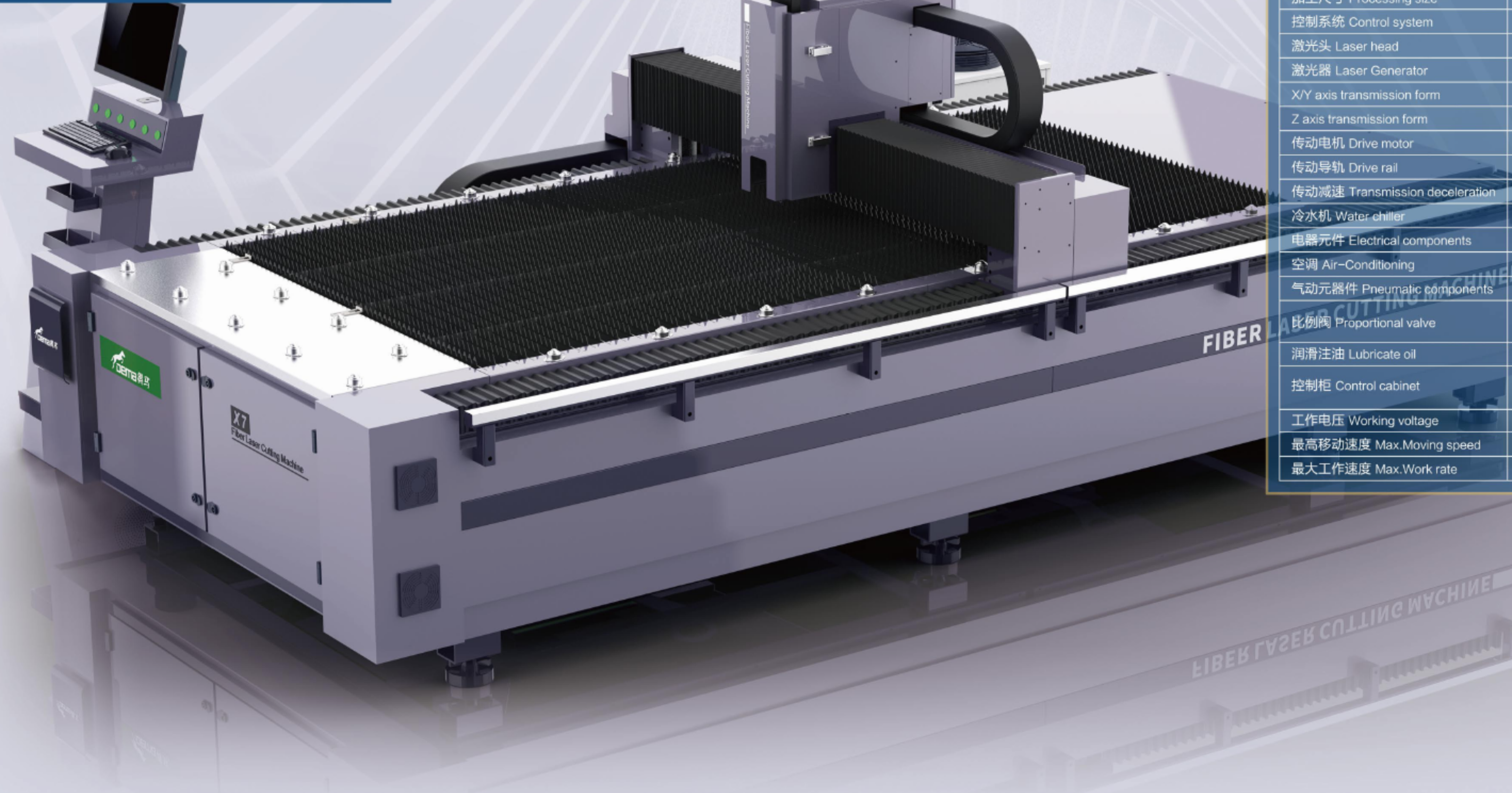


X7 SERIES

2022款



Dema Fiber Laser Cutting Machine

Engraving & Laser Cutting Work Machine

2022-X7-3015

功能特性 Functional Features:

外形尺寸 Overall size	2500mm*4500mm*1900mm
加工尺寸 Processing size	1500mm*3000mm
控制系统 Control system	工业级控制系统 Industrial control system
激光头 Laser head	自动调焦头 Auto focus head
激光器 Laser Generator	Max连续激光发生器 Continuous laser generator(Max)
XY axis transmission form	研磨齿条 Grinding rack
Z axis transmission form	滚珠丝杠 Ball screw
传动电机 Drive motor	高精度伺服 High-precision servo
传动导轨 Drive rail	高精度研磨导轨 High-Precision Grinding Rail
传动减速 Transmission deceleration	行星减速机 Planetary Reducer
冷水机 Water chiller	工业双控冷水机 Industrial double control Water chiller
电器元件 Electrical components	德力西 Delixi
空调 Air-Conditioning	壁挂1匹工业级变频空调 1HP industrial-grade inverter air conditioner
气动元器件 Pneumatic components	高压电磁阀 High pressure solenoid valve
比例阀 Proportional valve	日本SMC比例阀+精密减压阀 Proportional valve+precision pressure reducing valve(Japan SMC)
润滑注油 Lubricate oil	整机自动注油 Automatic oil injection
控制柜 Control cabinet	嵌入式控制柜 独立操作台 Embedded control cabinet / independent operation table
工作电压 Working voltage	AC380/50Hz
最高移动速度 Max.Moving speed	60m/min
最大工作速度 Max.Work rate	30m/min



X7 功能特性 PRODUCT FEATURES

- ◆ 一款重型的光纤激光切割机，适合金属切割加工。
- ◆ 采用整体方管焊接结构，成形后整机热处理后一次性精加工成形。
- ◆ 整机采用独特的齿条双驱结构，提高了机床的稳定性和抗拉性。
- ◆ 采用进口材料制成的高柔性电缆，保证机床在长期反复的运行中，不易被折断。
- ◆ 配备工业级控制系统，保证机床高速情况下运转，精细无锯齿波纹，轮廓清晰。
- ◆ A heavy fiber laser cutting machine, suitable for metal cutting and processing.
- ◆ High flexible electric cable is made of imported material, it could guarantee the safety during the operation for a long term.
- ◆ With the structure of whole square tube welding, the machine could be molded after heat treatment.
- ◆ Equipped with industrial-grade control system, the bed of machine could be operated with high precision and stability during the high speed running.
- ◆ Unique double drive rack could improve the stability and synchronization of the machine.

